

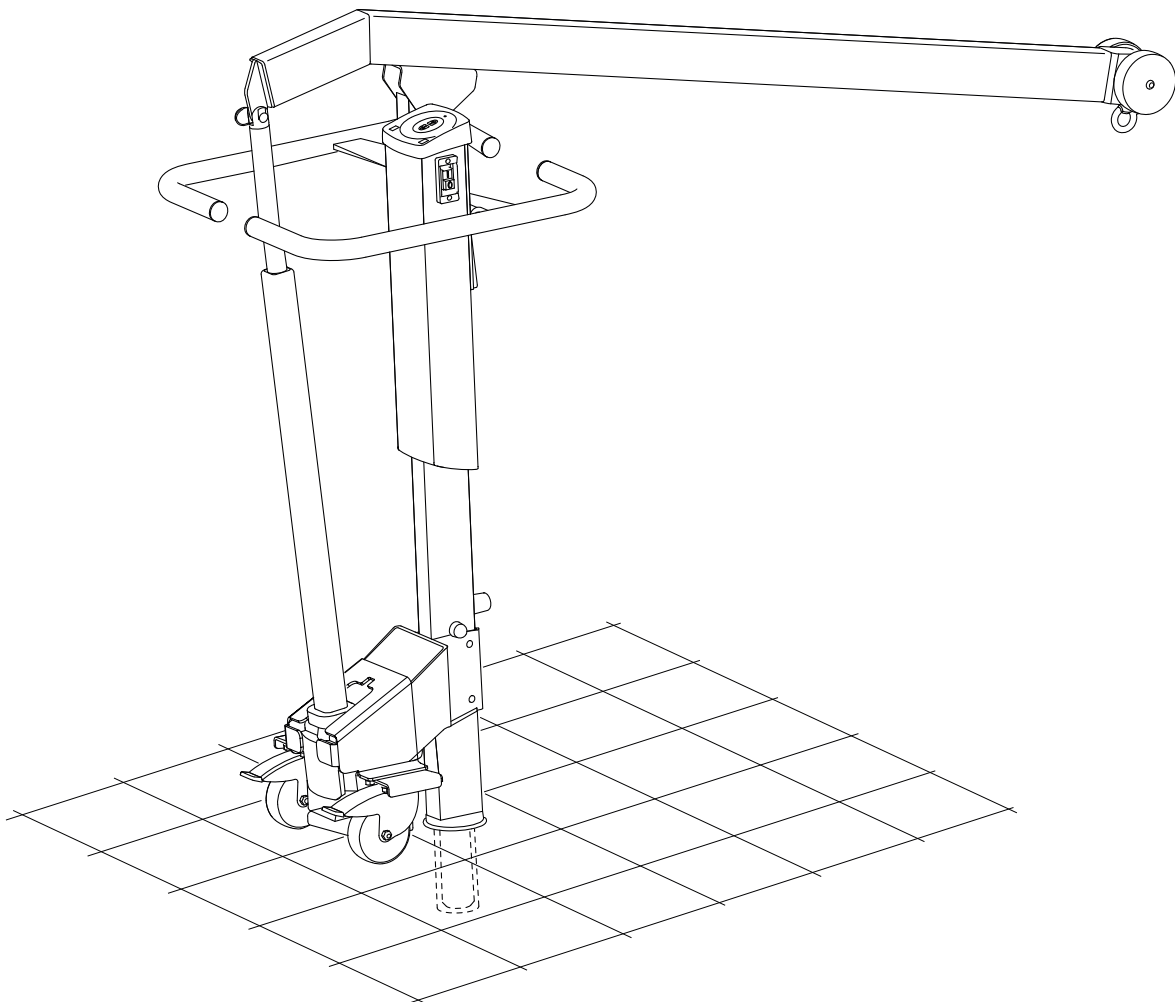
HANDI-MOVE MODEL 3200

---

**WHEELCHAIR-TO-WATER™ POOL LIFT**

---

**USER GUIDE**



**Read Thoroughly Before Operating**  
**Have your system inspected at least yearly. See inside user guide for details.**  
**Images may differ from reality.**

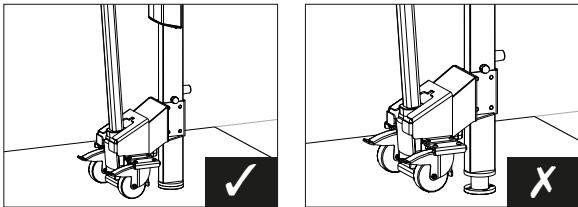


# Table of contents

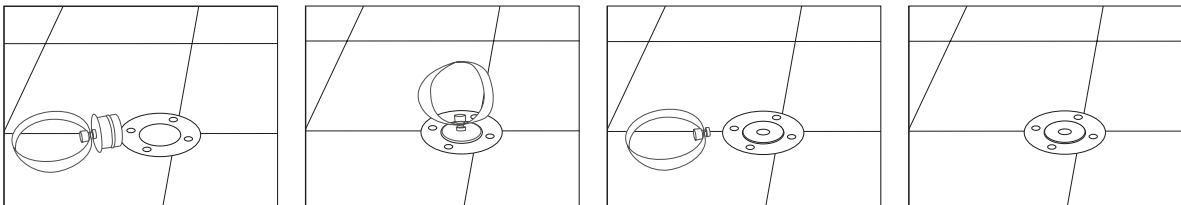
1.	Safety instructions .....	3
2.	Scope of application .....	4
3.	Product information .....	5
4.	Assembly instructions .....	6
	4.1. Mounting steering handles .....	6
	4.2. Fitting the control box onto the Pool lift.....	6
	4.3. Instructions for placing the socket A .....	6
	4.4. Instructions for placing the Pool lift .....	7
5.	Explanation of the symbols .....	8
	5.1. Symbols on the nameplate and packaging .....	8
	5.2. Nameplate & packaging label .....	8
6.	Operation .....	9
	6.1. Control.....	9
	6.2. Making the Pool lift operational.....	9
	6.3. Electrical emergency down .....	9
	6.4. Charging the battery pack .....	10
7.	Maintenance and storage space .....	11
	7.1. Cleaning the Pool lift.....	11
	7.2. Storing the Pool lift .....	11
8.	Inspection .....	12
	8.1. Inspection before each use .....	12
	8.2. Yearly inspection .....	12
9.	Troubleshooting .....	13
	9.1. Control box.....	13
10.	Technical specifications.....	14
11.	Parts list.....	16
12.	Spare parts and yearly maintenance .....	17
13.	Limited Warranty .....	18
14.	EC declaration of conformity .....	19

# 1. Safety instructions

- Before using the Pool lift, make sure that:
  - the user/caregiver has been given appropriate instruction and training.
  - these instructions for use have been carefully read and understood.
  - the Pool lift is only used with Handi-Move items or items approved by Handi-Move.
- The maximum permissible load may vary between the Pool lift, spreader bar and sling. The lowest permissible load must then be regarded as the maximum permissible load.
- Do not use the Pool lift in case of malfunction and inspect before each use (see also 8).
- If there is electromagnetic interference between this Pool lift and another device, the two devices must not be used together.
- The service temperature has to be between -10°C (14°F) to +40°C (104°F). The air humidity has to be between 30% and 70%.
- Only use the Pool lift when it is locked into a Handi-Move socket.
- The floor pin is fully located in the socket.



- After disengaging the Pool lift from the socket, it is advisable to install the cap (art. # 3240 0100). Once the cap is installed, it is advisable to remove the cloth strap in order to prevent a person tripping over it.



- Use both hands when moving the Pool lift.
- Make sure that the Pool lift is never pushed faster than at normal stepping speed

## CAUTION!

**DO NOT CHARGE NEAR THE POOL!**  
**DO NOT LEAVE THE POOL LIFT ON A SLOPE.**

**THE MAGNETS IN THE HANDCONTROL CAN AFFECT THE OPERATION OF PACEMAKERS AND IMPLANTED DEFIBRILLATORS. IF THE DISTANCE BETWEEN THE HANDCONTROL AND THE PACEMAKER (OR IMPLANTED DEFIBRILLATORS) IS MORE THAN 10 CM, THERE IS NO INFLUENCE OF THE MAGNETS ON THE OPERATION OF THE PACEMAKER (OR IMPLANTED DEFIBRILLATORS). FOR FURTHER INFORMATION, PLEASE CONTACT YOUR DOCTOR.**

-  Batteries must be removed and recycled according to the statutory provisions.

**Max. lifting capacity: 297 Lbs / 135.00 kg**

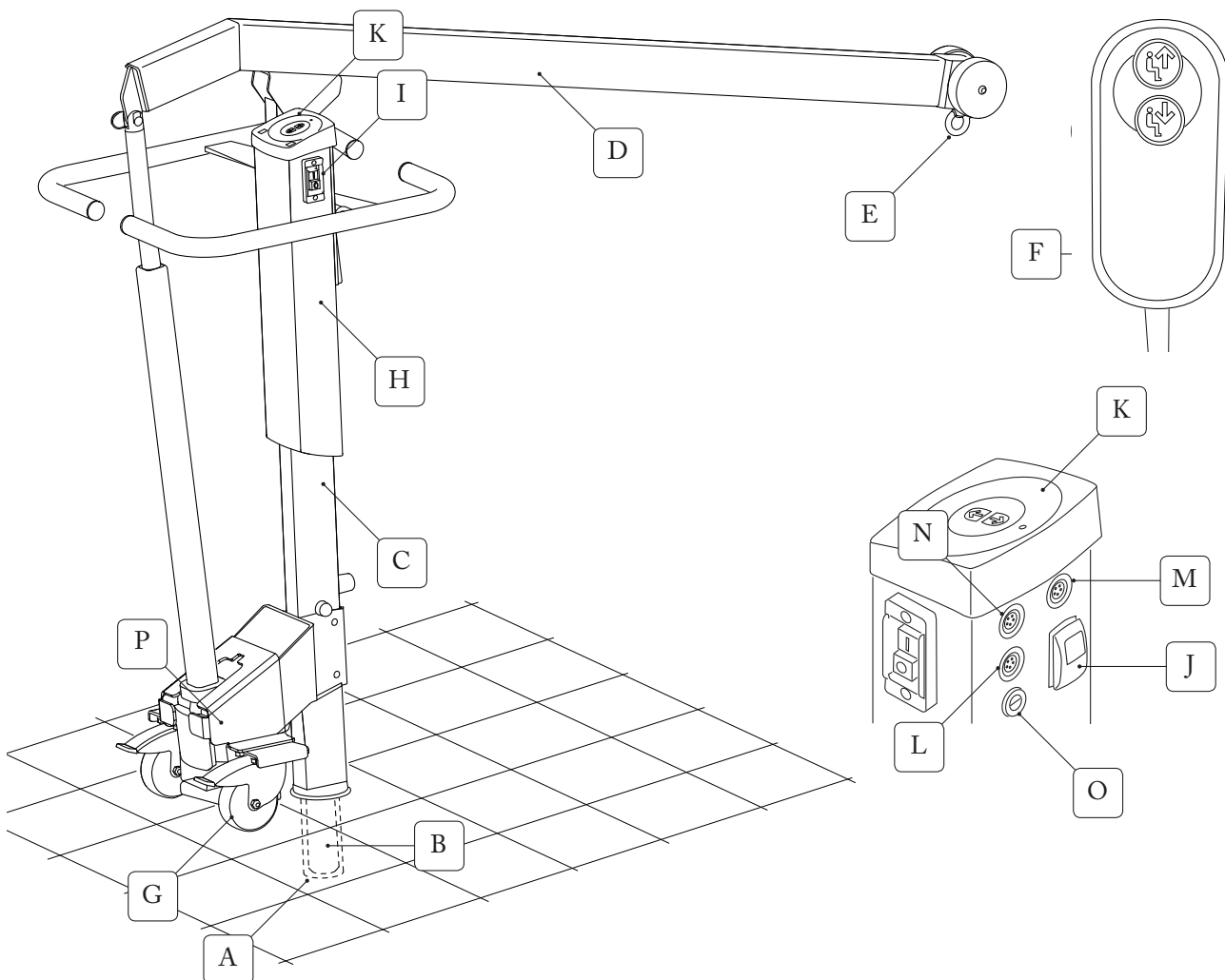
## 2. Scope of application

The Pool lift is an electromechanical lifting device. It is used to lift persons with motor disabilities in and out of the swimming pool.

### 3. Product information

This user guide refers to the following parts on your Handi-Move Pool lift:

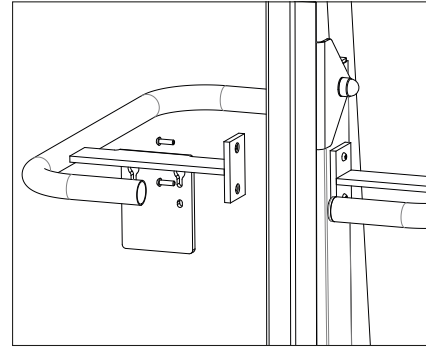
- A socket A
- B floor pin
- C mast
- D arm
- E swivelhook
- F electrical handcontrol
- G wheels with brakes
- H control box
- I main / emergency stop switch
- J emergency down button
- K keypad
- L connector for the charger
- M connector for the actuator
- N connector for the hand control
- O fuse box
- P safety bracket



## 4. Assembly instructions

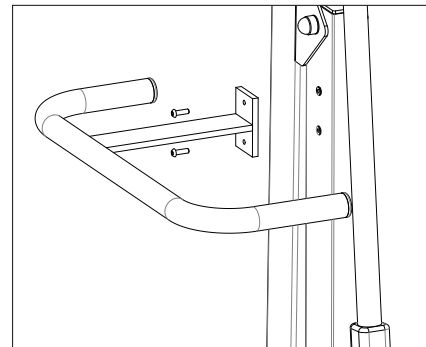
### 4.1. Mounting steering handles

step 1. Take the control box handle and screw in both bolts partially in by hand.



step 2. Take the other handle and screw in both bolts partially in by hand.

step 3. Align both handles to each other and tighten them up with the hex key.



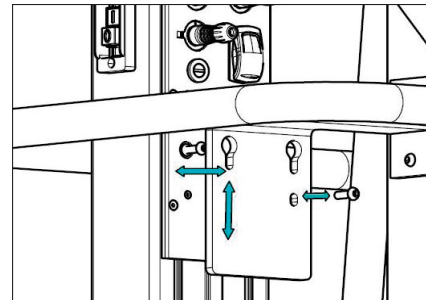
### 4.2. Fitting the control box onto the Pool lift

step 1. Take the control box and screw the 2 upper screws partially in.

step 2. Fit the box onto the support by pushing the screws into the slots.

step 3. Fit the 3rd screw into the box and fasten the other 2.

step 4. Connect up the connectors.

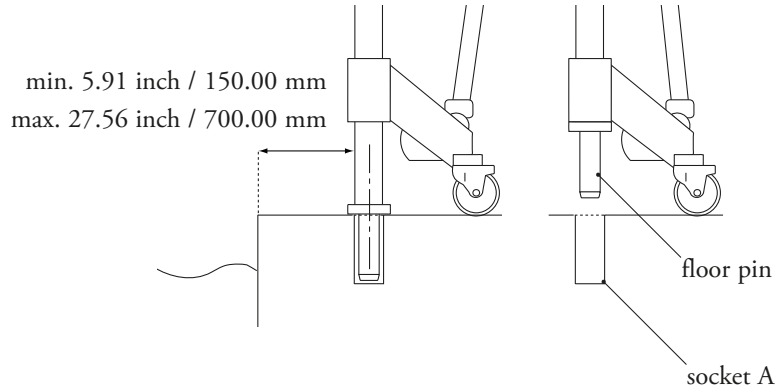


### 4.3. Instructions for placing the socket A

The socket A is a cylinder of stainless steel which has to be built into the floor. Therefore a hole of 4.02 inch / 102.00 mm diameter and 6.7 inch / 170.00 mm depth is to be provided. The socket should only be installed by a technician authorised by your Handi-Move equipment supplier.









## 4.4. Instructions for placing the Pool lift

Move the floor pin above the socket A (built into the floor) and raise the arm above the hole. In order to do so, keep pressing the “ON” button of the handcontrol until the floor pin is fully located in the socket.



## 5. Explanation of the symbols

### 5.1. Symbols on the nameplate and packaging

  Please read the user guide carefully before using the Pool lift.	International protection standards against solid objects and water. Water projected by a water jet against the device from any direction shall have no harmful effects. <b>IP X5</b>
<b>CE</b> The device complies with the Medical Device Directive 93/42/EEC, as amended by Directive 2007/47/EC.	 Type B conforms to EN 60601-1.  No insulation against earthed components Class II - EN 60601-1
 The Pool lift must be stored at an air pressure of 700 to 1060 hPa .	 The Pool lift must be stored at a humidity level of 30% to 70%.
 Please observe the national and local regulations with respect to collection for recycling and environmentally friendly processing.	 The Pool lift must be stored at a temperature of -10°C (14°F) to +40°C (104°F).

### 5.2. Nameplate & packaging label

Distributed in the USA by:  
 SureHands Lift and Care Systems  
 Pine Island, NY 10969  
 Tel: (845) 258-6500  
 info@surehands.com




---

Manufactured by:  
 Handi-Move International nv  
 B-9400 Ninove - Belgium  
 Tel: +32 54 31 97 10  
 info@handimove.com




---

Date of manufacture:

24 VDC max.  
 2 x 12V - 6,5-7,2Ah

**SWL** 135kg / 297lbs **IP X5**

SN ??????

Model - 3200







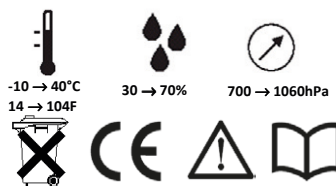
**Zwembadlift**

3200

NL  
 IN-E  
 US-E  
 FR  
 DE

Charger

Serial number :





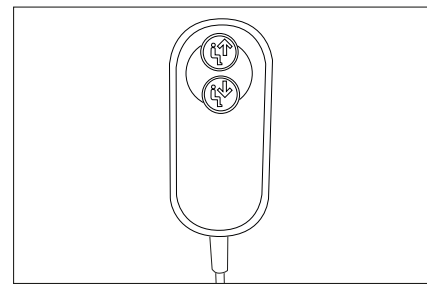
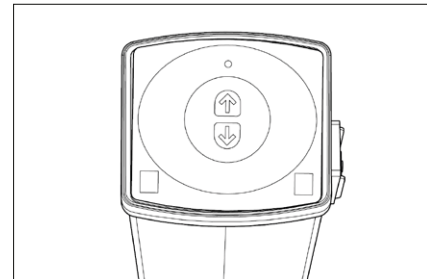
## 6. Operation

After use and to recharge the batteries, the Pool lift should be dried off and stored in a dry enclosed area so that it is protected from inclement weather and any other adverse conditions.

### 6.1. Control

The Pool lift is controlled by the push buttons on the hand control or via the control keypad on the control box.

	lifting arm up
	lifting arm down

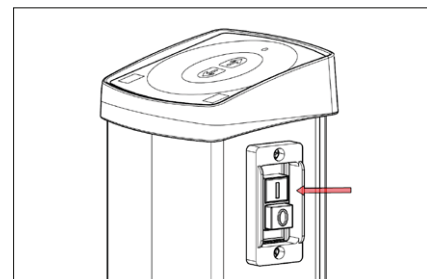


### 6.2. Making the Pool lift operational

To activate the Pool lift, press the green button on the control box. To deactivate it, press the red button.

The red button also acts as an emergency stop switch.

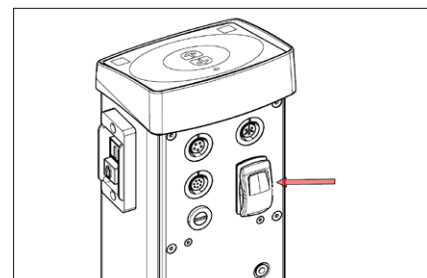
The LED on the control keypad will only illuminate when the green button has been pressed and batteries are fully charged.



### 6.3. Electrical emergency down

Use the yellow button when the up/down keys and the handcontrol do not work.

**⚠ CAUTION!**  
THE ARM CAN ONLY MOVE DOWN.

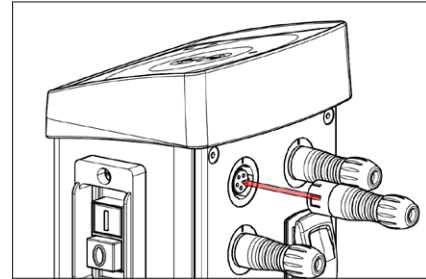


## 6.4. Charging the battery pack

It is advisable to charge the Pool lift regularly to extend the service life of the batteries and to avoid dead batteries. Charge at least once every 2 days. Overcharging is not possible.

### How to charge the batteries?

- Connect the charger to the battery pack and to the mains.(110/230 VAC)
- The indicator light on the charger indicates the following:
  - Yellow: batteries are being charged
  - Green: batteries are fully charged



### REMARK

IF THE POOL LIFT EMITS AN AUDIBLE SIGNAL, THE BATTERIES MUST BE CHARGED IMMEDIATELY.



### CAUTION!

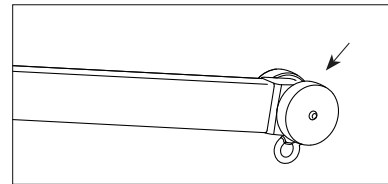
DO NOT CHARGE NEAR THE POOL!

## 7. Maintenance and storage space

Always start maintenance by putting the main switch in the “OFF” position (= “O” position).

### 7.1. Cleaning the Pool lift

- Corrosion
  - The Pool lift is manufactured from stainless steel and has undergone additional anti-corrosion treatment.
  - Stainless steel does not guarantee full protection against corrosion. Actively polluting components such as chlorine, especially when present in damp, hot places, can attack the stainless steel.
  - Avoid scratching, scraping or knocking the surface of the stainless steel.
  - Clean regularly and at least every two months with soap and water.
  - Pay special attention to locknuts and remove any surface corrosion immediately to avoid damage to the rest of the structure.
  - Check the actuator regularly for signs of corrosion.
- Cleaning
  - Clean with ordinary soap and a damp cloth. Harsh chemicals, abrasive cleaners and excessive water should not be used.
  - Rinse the swivel hook (and its wheels) abundantly by pouring a bucket of tap water over it. (Do not use water from the pool). Repeat this regularly, at least every 2 months.



### 7.2. Storing the Pool lift

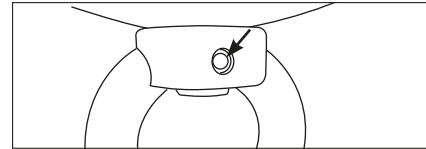
- Make sure that the emergency stop switch is pressed in when you store the Pool lift (LED does not illuminate)
- After each usage and before charging, you need to put the Pool lift into a room away from the swimming pool with a humidity of between 30 and 70% and a temperature between -10°C (14° F) and 40°C (104° F).
- Disconnect the batteries if you are not using the Pool lift for a long time.
- Ensure that the Pool lift cannot tip over by fastening it or putting it in a separate room.

## 8. Inspection

Given the nature of the product, complete yearly maintenance is necessary.

### 8.1. Inspection before each use

- Operation of the emergency stop. When the emergency stop is activated, the Pool lift should not work.
- Free running of the castors.
- Visible damage to the Pool lift.
- Swivel hook: check that the pin does not come out of the eye nut.



### 8.2. Yearly inspection

- The Pool lift must be inspected at least once a year.
- The inspection may only be carried out by Handi-Move or a technician approved by Handi-Move or their distributor.
- After the inspection, a report will be prepared documenting the tests that were carried out and the parts that were replaced or that should be replaced.

## 9. Troubleshooting

### 9.1. Control box

- The control box does not function at all
  - Check whether the switch is in the “I” position.
  - Charge the batteries.
- When the Pool lift does only function when pressing the “UP” and “DOWN” keys on the control box, there might be a problem with the hand control. Check if the hand control cable is properly connected to the control box.
- If this makes no improvement, call the technical service.

## 10. Technical specifications

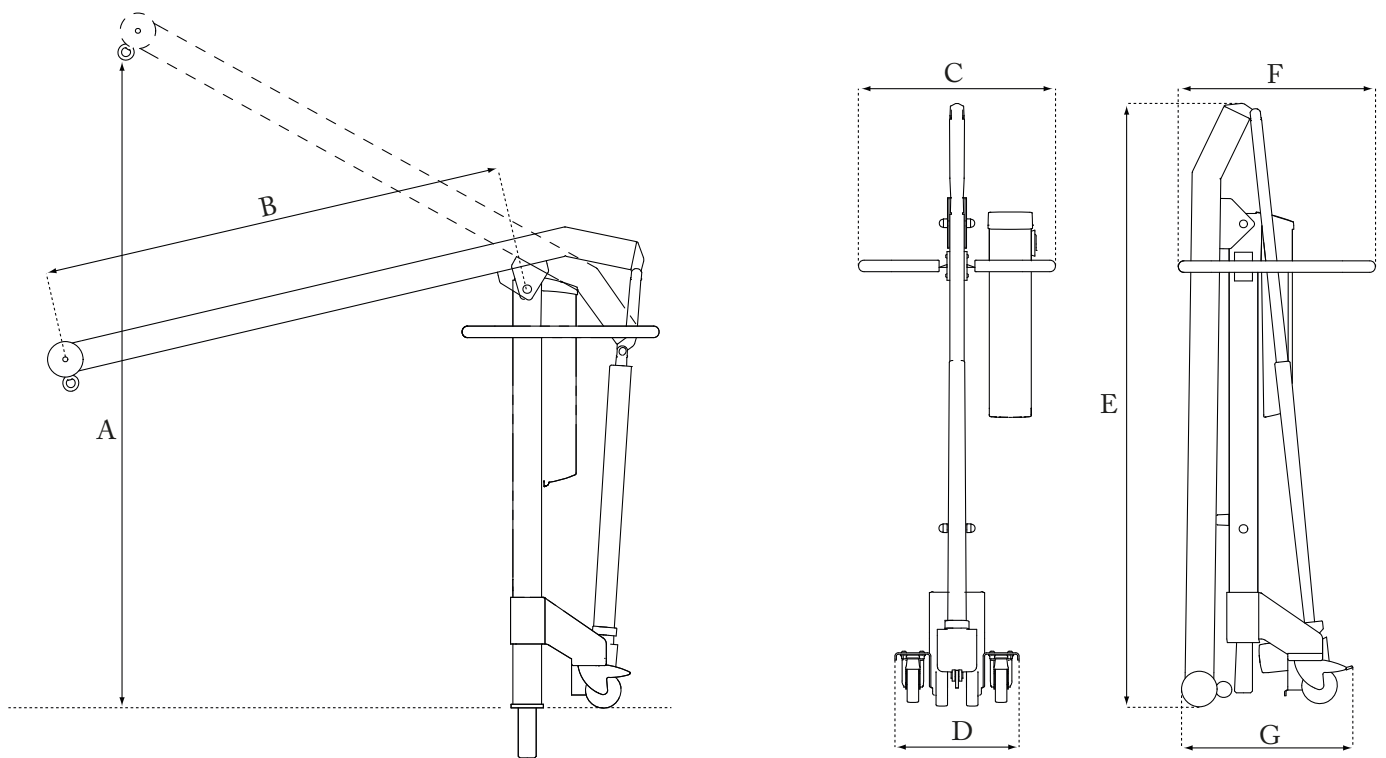
Max. lifting capacity	297.62 Lbs / 135.00 kg	
Emergency down	electrical	
Emergency switch	present	
Weight	base + mast + handle	97 Lbs / 44.00 kg
	control box	15.43 Lbs / 7.00 kg
Construction	ALU ; stainless steel ; painted	
Covers	ABS	
Castors	ø 3.94 inch / 100.00 mm (rear castors with brake)	
Batteries	sealed and maintenance-free 2 x 12 Vdc; 6,5 - 7,2 Ah	
Battery indication	audible signal	
Charger	type Mascot 9940/2541	
	input: 0.9 A 100 - 240 Vac 50 -60 Hz, class II	
	output: 24 Vdc Max 1.3 A (type 9940) 1.2 A (type 2541)	
Charging time from signal	4 h	
Motor	24Vdc ; 4A	
Noise	50 dbA	
Safety class	IPx5	
Expected life span	10 years, on the condition of correct use, service (see 7) and yearly inspections (see 8). (Batteries have an approx. life span of 2 - 4 years depending on the use)	
Max height	74.02 inch / 1880.00 mm	
Height mast	65.24 inch / 1657.00 mm	
Length boom arm	50.39 inch / 1280.00 mm	
Width base (folded up)	25.08 inch / 637.00 mm	
Force needed for rotation	at 110.23 Lbs / 50.00 kg	140 N

### SPEEDS

Raising (unloaded)	1.3 inch / 3.30 cm /s
Lowering (unloaded)	1.3 inch / 3.30 cm /s
Raising (load 198.42 Lbs / 90.00 kg )	0.98 inch 2.5 cm / s
Lowering (load 198.42 Lbs / 90.00 kg )	1.3 inch / 3.30 cm /s
Raising (load 297.62 Lbs / 135.00 kg )	0.87 inch / 2.20 cm /s
Lowering (load 297.62 Lbs / 135.00 kg )	1.3 inch / 3.30 cm /s

**DIMENSION (IN INCH / MM)**

A	1840.00 / 72.44
B	1305.00 / 51.38
C	540.00 / 21.26
D	350.00 / 13.78
E	1700.00 / 66.93
F	550.00 / 21.65
G	500.00 / 19.69





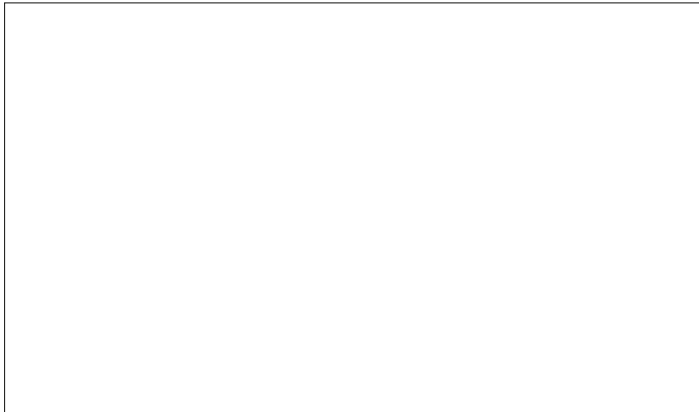
## 11. Parts list

art. 3200 9050.....	complete control box
art. 2580 0103.....	electrical hand control
art. 3240 0100.....	cap with cloth strap for socket
art. 3200 9030.....	charger 220/24V EUR
art. 3200 9031.....	charger 220/24V UK
art. 3200 9032.....	charger 110/24V USA
art. 3200 9033.....	charger 250/24V AUS

## 12. Spare parts and yearly maintenance

To obtain spare parts and maintenance including yearly inspections, contact your Handi-Move representative.

### For the USA



#### **Distributed Exclusively By:**

#### **SUREHANDS Lift & Care Systems**

982 County Route 1

Pine Island, NY 10969

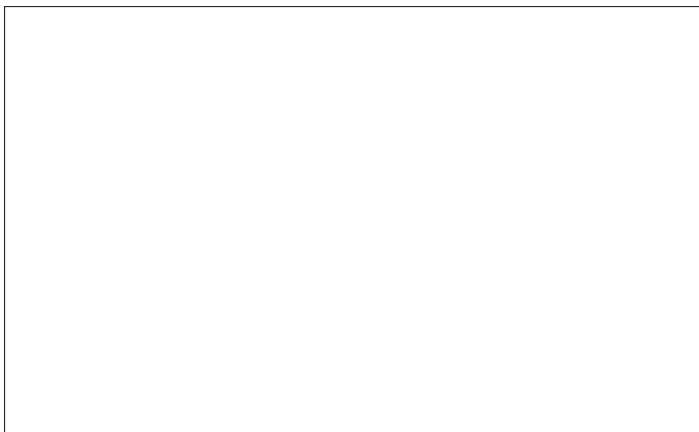
Tel: 800-724-5305

Fax: 845-258-6634

e-mail: [info@surehands.com](mailto:info@surehands.com)

website: [www.surehands.com](http://www.surehands.com)

### For Europe and the rest of the world



Handi-Move nv Ten Beukenboom 13 9400 Ninove

Tel. + 32 54 31 97 10 – Fax + 32 54 32 58 27

e-mail: [info@handimove.com](mailto:info@handimove.com)

website : [www.handimove.com](http://www.handimove.com)

## 13. Limited Warranty

This equipment is sold under an exclusive warranty of two (2) years from date of purchase.

The manufacturer warrants the equipment to be free of defects in material and workmanship. We agree to repair or replace any products, or parts thereof, which have been returned to our factory within the stated warranty period, and which after examination shall disclose that the product is defective. Batteries are excluded. Transportation charges to our factory must be prepaid. Return charges for repaired or replaced products will be borne by the factory. Onsite labor charges are not covered by the manufacturer warranty. Only labor performed on equipment at the Manufacturer or Distributor's facilities will be covered by the manufacturer warranty.

This warranty does not apply if the equipment has been subject to misuse, neglect, accidents, incorrect wiring (not our own), improper installation, or put to use in violation of instructions furnished by us or repaired or altered by other than one of our factory authorized representatives without our prior written consent.

We reserve the right to modify or change the equipment in whole or in part, at any time prior to delivery in order to include refinements deemed appropriate by us, but without incurring any liability to modify or change any equipment previously delivered, or to supply new equipment in accordance with earlier specifications.

Loss or damage must be reported within 14 days after receipt of equipment. Visible loss of or damage to cartons must be noted at time of delivery on bill of lading or delivery receipt.

This warranty is expressly in lieu of all other warranties expressed or implied. We neither assume, nor authorize any other person to assume for us, any other liability in connection with the sale or use of this equipment. In no event shall we be liable for consequential or special damages. We make no warranty whatsoever in respect to accessories or parts not supplied by us. This warranty is valid to the original purchaser only. This warranty is not transferrable.

### **Note for the USA:**

**SUREHANDS has offered special warranty terms to certain Government and State Agencies and Funding Sources. If your system is funded by one of these entities, your system will be covered by the terms of that warranty instead of the standard warranty written above.**

**For products purchased from either a Handi-Move Dealer or Distributor please refer to their warranty terms and conditions.**

## 14. EC declaration of conformity



# EC declaration of conformity

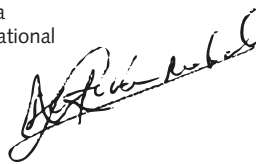
EN	Poollift
NL	Zwembadlift
FR	Soulève-personne de piscine
DE	Schwimmbadlifter
<b>REF. N°</b>	<b>3200</b>

**In conformity with**  
Konform richtlijn  
Conforme la directive  
Gemäss Richtlinie

93/42/EEG as amended by 2007/47/EG (Class I Medical Devices)  
2011/65/EU (RoHS directive)

**For Handi-Move International**

Stefan Van Raemdonck bvba  
Director Handi-Move international  
05/01/2015



**Manufacturer : Handi-Move International** . Ten Beukenboom 13, 9400 Ninove, Belgium  
Tel. +32 54 31 97 10 . Fax +32 54 32 58 27 . info@handimove.com . www.handimove.com